

Polarization Maintaining RC Fiber Collimator

Features

Low Insertion Loss
High Return Loss
High Environmental Stability
Good Uniformity

Applications

Fiber-optical Components
DWDM / CWDM
MEMS Products
Compact Optical Circuits

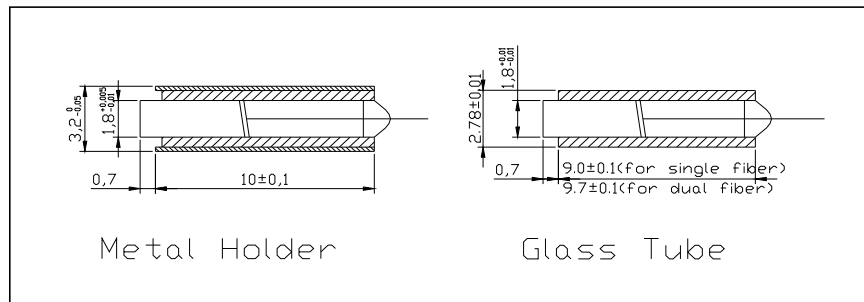
Specifications

Parameters	Unit	Values
		Single Fiber
Center Wavelength	nm	1550
Operating Wavelength Range	nm	±20
Working Distance	mm	5
Typ. Insertion Loss at 5mm WD	dB	0.25
Max. Insertion Loss at 5mm WD	dB	0.3
Min. Return Loss	dB	55
Typ. Extinction Ratio	dB	25
Min. Extinction Ratio	dB	22
Max. Optical Power (CW)	mW	500
Max. Tensile Load	N	5
Fiber Type		RC PM 1550 Panda Fiber
Operating Temperature	°C	-5 to +70
Storage Temperature	°C	-40 to +85

*Above specifications are for device without connector.

*The optical path is aligned to slow axis.

Package Dimensions



Ordering Information

PMRCC-①①-②-③-④-⑤-⑥⑥-⑦⑦-⑧-⑨

①①: Wavelength

55 - 1550nm

S - Specify

⑤: Slow Axis Orientation

O - For Single Fiber Collimator

S - Specify

⑧: Fiber Length

1.5 - 1.5m

S - Specify

②: Pigtail Type

S - Single Fiber

⑥⑥: Connector Type

N - None

⑨: Package Type

1 - Metal Holder

2 - Glass Tube

③: Lens Diameter

1 - 1.8mm

S - Specify

⑦⑦: Fiber Jacket

B - 170um Bare Fiber

L - 900um Loose Tube

S - Specify

④: Working Distance

1 - 5mm

S - Specify