

Polarization Maintaining RC Fiber Isolator

Features

Wide Operating Wavelength & Temperature Range
 Low Insertion Loss & High Isolation
 Ultra Low PDL & PMD
 High Extinction Ratio
 Epoxy-Free in Optical Path

Applications

Fiber Amplifiers
 WDM & DWDM Systems
 Fiber Optic Instruments
 Transmitters & Fiber Laser
 Compact Optical Circuits

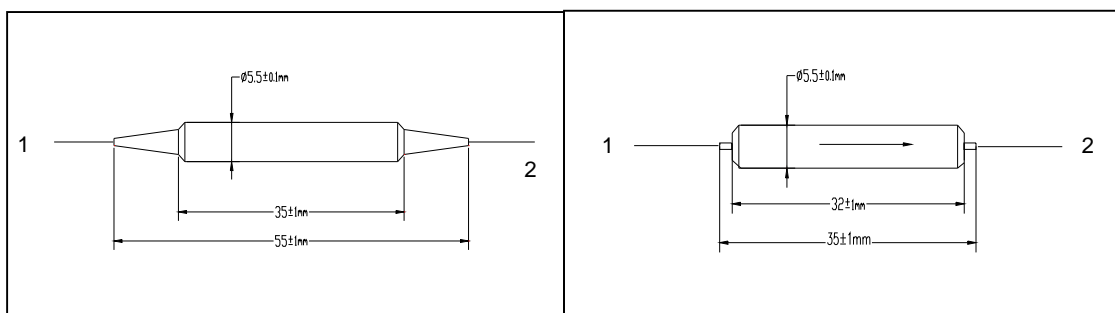
Specifications

Parameters	Unit	Values			
		Single Stage		Dual Stage	
Stage		Grade P	Grade A	Grade P	Grade A
Center Wavelength (λ_c)	nm	1550			
Operating Wavelength Range	nm	± 20			
Typ. Peak Isolation	dB	42	40	58	52
Min. Isolation at 23°C, λ_c	dB	28	26	48	45
Typ. Insertion Loss at 23°C, λ_c	dB	0.4	0.5	0.55	0.7
Max. Insertion Loss	dB	0.55	0.65	0.7	0.9
Min. Return Loss (Input/Output)	dB	55 / 55	55 / 55	55 / 55	55 / 55
Min. Extinction Ratio (only for B Type)	dB	20	18	20	18
Min. Extinction Ratio (only for F Type)	dB				
Max. Optical Power (CW)	mW	500			
Max. Tensile Load	N	5			
Fiber Type		RC PM 1550 Fiber			
Operating Temperature	°C	-5 to +70			
Storage Temperature	°C	-40 to +85			

*Above specifications are for device without connector.

*The optical path is aligned to slow axis.

Package Dimensions



Ordering Information

PMRCI-①①-②-③-④④-⑤⑤-⑥-⑦

①①: Wavelength

55 - 1550nm

SS - Specify

②: Grade

P - Premium Grade

A - A Grade

③: Stage

S - Single Stage

D - Dual Stage

④④: Connector Type on Port 1 & 2

N - None

⑤⑤: Fiber Jacket on Port 1 & 2

B - 170um Bare Fiber

L - 900um Loose Tube

S - Specify

⑥: Fiber Length

0.8 - 0.8m

S - Specify

⑦: Package Length (Main Body)

1 - 35mm

2 - 32mm