

# RC Fiber Filter Wavelength Division Multiplexer

## Features

Low Insertion Loss  
 High Extinction Ratio  
 High Isolation  
 Excellent Environmental Stability

## Applications

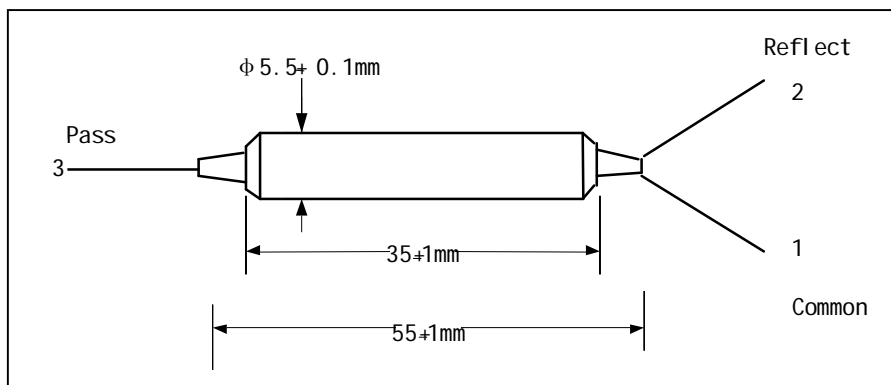
EDFAs  
 Sensors  
 Fiber Optic Communication Equipments  
 Compact Optical Circuits

## Specifications

| Parameters              |                        | Unit  | Values                |
|-------------------------|------------------------|-------|-----------------------|
| Pass Band               | Wavelength Range       | nm    | 1530-1580 (1460-1490) |
|                         | Max. Insertion Loss    | dB    | 1.2                   |
|                         | Typ. Insertion Loss    | dB    | 0.9                   |
|                         | Min. Isolation at 23°C | dB    | 30                    |
|                         | Typ. Isolation         | dB    | 35                    |
| Reflection Band         | Wavelength Range       | nm    | 1460-1490 (1530-1580) |
|                         | Max. Insertion Loss    | dB    | 0.8                   |
|                         | Typ. Insertion Loss    | dB    | 0.5                   |
|                         | Min. Isolation at 23°C | dB    | 12                    |
|                         | Typ. Isolation         | dB    | 15                    |
| Min. Return Loss        |                        | dB    | 50                    |
| Typ. PDL                |                        | dB    | 0.05                  |
| Max. PDL                |                        | dB    | 0.1                   |
| Thermal Stability       |                        | dB/°C | ≤0.005                |
| Max. Optical Power (CW) |                        | mW    | 300                   |
| Max. Tensile Load       |                        | N     | 5                     |
| Fiber Type              |                        |       | RC 1550 Fiber         |
| Operating Temperature   |                        | °C    | -5 to +70             |
| Storage Temperature     |                        | °C    | -40 to +85            |

\*Above specifications are for device without connector.

## Package Dimensions



## Ordering Information

RCFWDM-①①①①-②②②-③③③-④

①①①①: Wavelength  
 5548 - 1550nm Pass / 1480nm Reflect  
 4855 - 1480nm Pass / 1550nm Reflect

②②②: Connector Type on Port 1, 2 & 3  
 N - None

③③③: Fiber Jacket on Port 1, 2 & 3  
 B - 170um Bare Fiber  
 L - 900um Loose Tube  
 S - Specify

④: Fiber Length  
 1 - 1.0m  
 S - Specify