

Polarization Insensitive Fiber Optic Circulator

Features

Low Insertion Loss & PDL
 High Channel Isolation
 Optical Path Epoxy Free
 Telcordia Compliant

Applications

Optical Amplifiers
 FBG Applications
 Dispersion Compensation
 Fiber Sensors

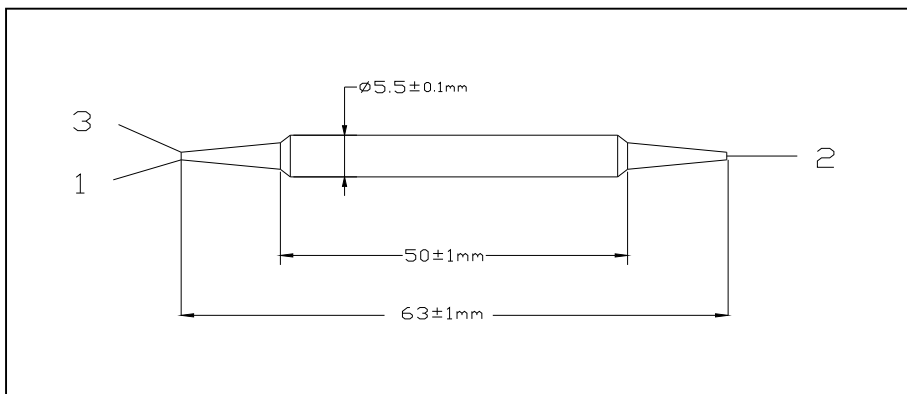
Specifications

| Parameter | Unit | Values |
|----------------------------|------|----------------|
| Center Wavelength | nm | 1310 or 1550 |
| Operating Wavelength Range | nm | ±20 |
| Min. Isolation at 23°C | dB | 45 |
| Typ. Insertion loss | dB | 0.7 |
| Max. Insertion loss | dB | 0.8 |
| Min. Return loss | dB | 55 |
| Min. Cross talk | dB | 50 |
| Min. PDL | dB | 0.1 |
| Min. PMD | ps | 0.1 |
| Max. Optical Power (CW) | mW | 500 |
| Max. Tensile Load | N | 5 |
| Fiber Type | | SMF-28e Fiber |
| Operating Temperature | | -5 to +70 |
| Storage Temperature | | -40 to +85 |
| Package Dimensions | mm | dia 5.5 x 63mm |

*Above specifications are for device without connector.

*For devices with connectors, IL will be 0.3dB higher and RL will be 5dB lower.

Package Dimensions



Ordering Information

FCIR-①①-②②②-③③③-④

①①: Wavelength

31 - 1310nm
 55 - 1550nm
 SS - Specify

③③③: Fiber Jacket on Port 1, 2 & 3

B - 250um Bare Fiber
 L - 900um Loose Tube
 S - Specify

②②②: Connector Type on Port 1, 2 & 3

1 - FC/UPC
 2 - FC/APC
 3 - SC/UPC
 4 - SC/APC
 N - None
 S - Specify

④: Fiber Length

1 - 1.0m
 S - Specify