

# Polarization Insensitive Fiber Optic Circulator

## Features

Low Insertion Loss & PDL  
 High Channel Isolation  
 Optical Path Epoxy Free  
 Telcordia Compliant

## Applications

Optical Amplifiers  
 FBG Applications  
 Dispersion Compensation  
 Fiber Sensors

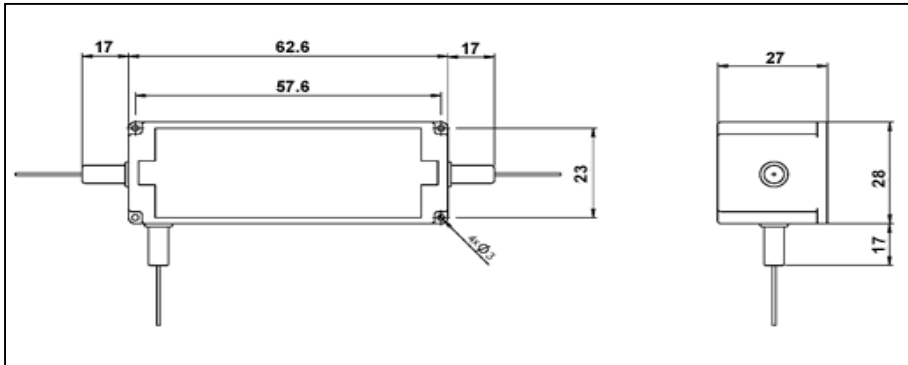
## Specifications

Parameter	Unit	Values
Center Wavelength	nm	850 or 980
Operating Wavelength Range	nm	±10
Min. Isolation at 23°C	dB	20
Typ. Insertion loss at 23°C	dB	1.3
Max. Insertion loss at -5~+70° C	dB	1.8
Min. Return loss	dB	50
Min. Cross talk	dB	45
Max. PDL	dB	0.2
Max. Optical Power (CW)	mW	300
Max. Tensile Load	N	5
Fiber Type		HI 1060nm fiber or see ordering information
Operating Temperature		-5 to +70
Storage Temperature		-40 to +85
Package Dimensions	mm	L62.6xW28xH27

\*Above specifications are for device without connector.

\*For devices with connectors, IL will be 0.3dB higher and RL will be 5dB lower.

## Package Dimensions



## Ordering Information

**FCIR-①①-②②②-③③③-④**

①①: Wavelength

85 - 850nm

98 - 980nm

SS - Specify

③③③: Fiber Jacket on Port 1, 2 & 3

B - 250um Bare Fiber

L - 900um Loose Tube

S - Specify

②②②: Connector Type on Port 1, 2 & 3

1 - FC/UPC

2 - FC/APC

3 - SC/UPC

4 - SC/APC

N - None

S - Specify

④: Fiber Length

1 - 1.0m

S - Specify