

C Band/L Band Filter Wavelength Division Multiplexer

Features

Wide Pass Band
 Low Insertion Loss
 High Return Loss
 Excellent Environmental Stability

Applications

DWDM Systems
 EDFAs

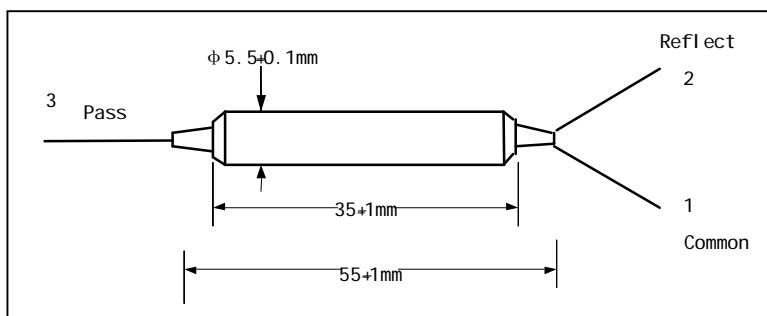
Specifications

Parameters		Unit	Values
Pass Band	Wavelength Range	nm	1530-1561 (1571-1605)
	Max. Insertion Loss	dB	0.7
	Typ. Insertion Loss	dB	0.5
	Min. Isolation at 23°C	dB	22
	Typ. Isolation	dB	25
Reflection Band	Wavelength Range	nm	1571-1605 (1530-1561)
	Max. Insertion Loss	dB	0.5
	Typ. Insertion Loss	dB	0.3
	Min. Isolation at 23°C	dB	12
	Typ. Isolation	dB	15
Optical Return Loss		dB	50
Typ. PDL		dB	0.05
Max. PDL		dB	0.1
Thermal Stability		dB/°C	≤0.005
Max. Optical Power (CW)		mW	500
Max. Tensile Load		N	5
Fiber Type			SMF-28e Fiber
Operating Temperature		°C	-5 to +70
Storage Temperature		°C	-40 to +85

*Above specifications are for device without connector.

*For devices with connectors, IL will be 0.3dB higher and RL will be 5dB lower.

Package Dimensions



Ordering Information

CLWDM-①①①①-②②②②-③③③③-④

①①①①: Wavelength

6171 - 1530-1561nm Pass / 1571-1605nm Reflect
 7161 - 1571-1605nm Pass / 1530-1561nm Reflect
 SSSS - Specify

③③③③: Fiber Jacket on Port 1, 2 & 3

B - 250um Bare Fiber
 L - 900um Loose Tube
 S - Specify

②②②②: Connector Type on Port 1, 2 & 3

1 - FC/UPC
 2 - FC/APC
 3 - SC/UPC
 4 - SC/APC
 N - None
 S - Specify

④: Fiber Length

1 - 1.0m
 S - Specify