

Coarse Wavelength Division Multiplexers

Features

- Wide Passband
- Low Insertion Loss
- High Channel Isolation
- Excellent Environmental Stability

Applications

- CWDM Systems
- Research

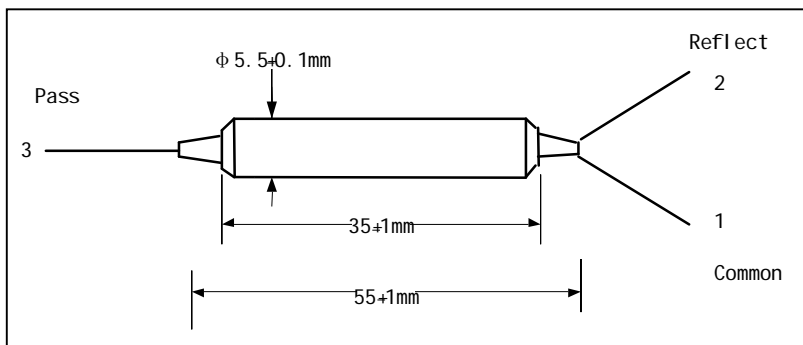
Specifications

Parameters	Unit	Values
Center Wavelength	nm	1270, 1290, ... 1590, 1610
		1271, 1291, ... 1591, 1611
Pass Band	nm	±6.5
Insertion Loss	dB	≤0.6
Reflection Insertion Loss	dB	≤0.4
Adjacent Channel Isolation	dB	≥25
Return Loss	dB	≥50
Directivity	dB	≥50
PDL	dB	≤0.05
Thermal Stability	dB/°C	≤0.005
Max. Optical Power (CW)	mW	500
Max. Tensile Load	N	5
Fiber Type		SMF-28e Fiber
Operating Temperature	°C	-5 to +70
Storage Temperature	°C	-40 to +85

*Above specifications are for device without connector.

*For devices with connectors, IL will be 0.3dB higher and RL will be 5dB lower.

Package Dimensions



Ordering Information

CWDM-①①①①-②②②-③③③-④

①①①①: Wavelength

③③③: Fiber Type on Port 1, 2 & 3

B - 250um Bare Fiber

②②②: Connector Type on Port 1, 2 & 3

L - 900um Loose Tube

1 - FC/UPC

S - Specify

2 - FC/APC

3 - SC/UPC

④: Fiber Length

4 - SC/APC

1 - 1.0m

N - None

S - Specify

S - Specify