

# Coarse Wavelength Division Multiplexer Module (4 channels/8channels)

## Features

Wide Passband  
 Low Insertion Loss  
 High Channel Isolation  
 Excellent Environmental Stability

## Applications

CWDM Systems  
 Fiber Lasers  
 Research

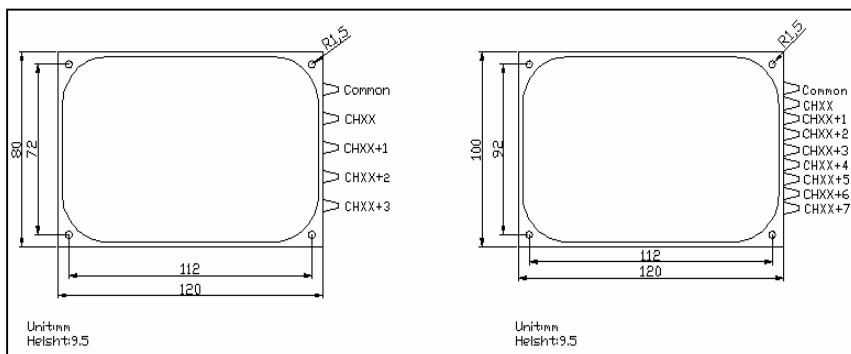
## Specifications

Parameters	Unit	4-channel	8-channel
Center Wavelength Range	nm	1511, 1531, 1551, 1571	1471, 1491, 1511, 1531, 1551, 1571, 1591, 1611
Pass Band	nm	±6.5	±6.5
Insertion Loss	dB	≤1.8	≤2.8
Adjacent Ch. Isolation (Mux)	dB	N/A	N/A
Adjacent Ch. Isolation (Demux)	dB	≥25	≥25
Non. Adjacent Ch. Isolation (Demux)	dB	≥40	≥40
Return Loss	dB	≥50	≥50
Directivity	dB	≥55	≥55
PDL	dB	≤0.1	≤0.1
PMD	ps	≤0.2	≤0.2
Thermal Stability		≤0.005	≤0.006
Max. Optical Power (CW)	mW	500	500
Max. Tensile Load	N	5	5
Fiber Type		SMF-28e Fiber	SMF-28e Fiber
Operating Temperature	°C	-5 to+70	-5 to+70
Storage Temperature	°C	-40 to +85	-40 to +85
Package Dimensions	mm	120*80*9.5	120*100*9.5

\*Above specifications are for module without connector.

\*For module with connectors, IL will be 0.3dB higher and RL will be 5dB lower.

## Package Dimensions



## Ordering Information

**CWDMM-①-②-③-④-⑤-⑥**

### ①: Wavelength

- 1 - 1511nm,1531nm,1551nm,1571nm
- 2 - 1471nm,1491nm,1591nm,1611nm
- 3 - 1471nm,1491nm,1511nm,1531nm
- 4 - 1511nm,1531nm,1591nm,1611nm
- 5 - 1471nm, 1491nm, 1511nm,1531nm,  
1551nm, 1571nm, 1591nm, 1611nm

### ②: Module Type

- M - MUX
- D - DEMUX

### ③: Number of Channels

- 4 - 4 Channels
- 8 - 8 Channels

### ④: Connector Type

- 1 - FC/UPC
- 2 - FC/APC
- 3 - SC/UPC
- 4 - SC/APC
- N - None
- S - Specify

### ⑤: Fiber Jacket

- B - 250um Bare Fiber
- L - 900um Loose Tube
- C - 3mm Loose Cable
- S - Specify

### ⑥: Fiber Length

- 0.5 - 0.5m
- S - Specify