

# Dense Wavelength Division Multiplexer Module (4 Channel/8 Channel/16 Channel)

## Features

Wide Pass Band  
 Low Insertion Loss  
 High Return Loss  
 Excellent Environmental Stability

## Applications

DWDM Systems  
 Fiber Lasers  
 Research

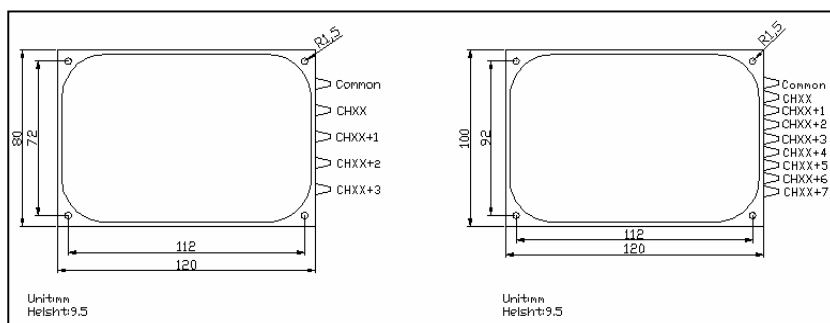
## Specifications

Parameters	Unit	4-channels	8-channels	16- channels	4-channels	8-channels	16-channels
Filter Type	nm	100GHz			200GHz		
Pass Band	nm	± 0.11			± 0.25		
Insertion Loss (without connector)	dB	≤2.2	≤3.2	≤4.5	≤2.0	≤3.0	≤4.2
Passband Flatness	dB				≤0.5		
Channel Uniformity	dB				≤1.5		
Channel Isolation (Mux)	dB				N/A		
Channel Isolation (Demux)	dB				≥25		
PMD	ps				≤0.2		
PDL	dB				≤0.1		
Directivity	dB				≥55		
Return Loss	dB				≥45		
Center Wavelength Stability	nm/°C				≤0.002		
Thermal Stability	dB/°C	≤0.005	≤0.006	≤0.008	≤0.005	≤0.006	≤0.008
Max. Optical Power (CW)	mW				500		
Tensile Load	N				5		
Fiber Type					SMF-28e Fiber		
Operating Temperature	°C				-5 to +70		
Storage Temperature	°C				-40 to +85		
Package Dimensions	mm				120x80x9.5 for 4 Channels		
					120x100x9.5 for 8 Channels		
					150x120x14 for 16 Channels		

\*Above specifications are for module without connector.

\*For modules with connectors, IL will be 0.3dB higher and RL will be 5dB lower.

## Package Dimensions



## Ordering information

DWDM-①-②-③-④④-⑤-⑥-⑦

①: Model Type

M - MUX

D - DEMUX

②: Number of Channels

4 - 4 Channels

8 - 8 Channels

16 - 16 Channels

③: Channel Spacing

1 - 100 GHz

2 - 200 GHz

④④: First ITU Grid

⑤: Connector Type

1 - FC/UPC

2 - FC/APC

3 - SC/UPC

4 - SC/APC

N - None

S - Specify

⑥: Fiber Jacket

B - 250um Bare Fiber

L - 900um Loose Tube

C - 3mm Loose Cable

S - Specify

⑦: Fiber Length

0.5 - 0.5m

S - Specify