

# 100GHz and 200GHz Add/Drop Module

## Features

Wide Bandwidth  
 Low Insertion Loss  
 High Isolation  
 High Power Handling Capability

## Applications

DWDM Systems  
 Research

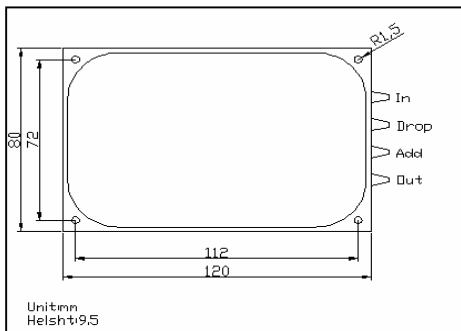
## Specifications

Parameters	Unit	100GHz	200GHz
Signal Wavelength Range	nm	1530-1580	
Center Wavelength CWL	nm	ITU Grid	
Pass Band	nm	ITU CH. +/- 0.11	ITU CH. +/- 0.25
Insertion Loss at In<---> Drop	dB	≤1.0	≤0.8
Insertion Loss at Add <---> Out	dB	≤1.0	≤0.8
Insertion Loss at In <---> Out	dB	≤0.8	≤0.8
Channel Isolation at In <---> Out	dB	≥25	≥25
Channel Isolation at In <---> Drop	dB	≥25	≥25
PDL	dB	≤0.1	≤0.1
Directivity	dB	≥50	≥50
Return Loss	dB	≥50	≥50
Center Wavelength Stability	nm/°C	≤0.002	≤0.002
Thermal Stability	dB/°C	≤0.005	≤0.005
Max. Optical Power (CW)	mW	500	500
Tensile Load	N	≥5	≥5
Fiber Type		SMF-28e Fiber	SMF-28e Fiber
Operating Temperature	°C	-5 to +70	-5 to +70
Storage Temperature	°C	-40 to +85	-40 to +85
Package Dimension	mm	120x80x9.5	

\*Above specifications are for module without connector.

\*For module with connectors, IL will be 0.3dB higher and RL will be 5dB lower.

## Package Dimensions



## Ordering Information

**OADMM-①-②②-③-④-⑤**

①: Channel Spacing

- 1 - 100GHz
- 2 - 200GHz

②②: ITU Grid

③: Connector Type

- 1 - FC/UPC
- 2 - FC/APC
- 3 - SC/UPC
- 4 - SC/APC
- N - None
- S - Specify

④: Fiber Jacket

- B - 250um Bare Fiber
- L - 900um Loose Tube
- C - 3mm Loose Cable
- S - Specify

⑤: Fiber Length

- 1 - 1.0m
- S - Specify