

# 1064nm High Power Collimated Beam Output Isolator

## Features

- High Isolation & High Power Handling
- Low Polarization Dependent Loss
- Low Insertion Loss & High Return Loss
- Excellent Environmental Stability and Reliability

## Applications

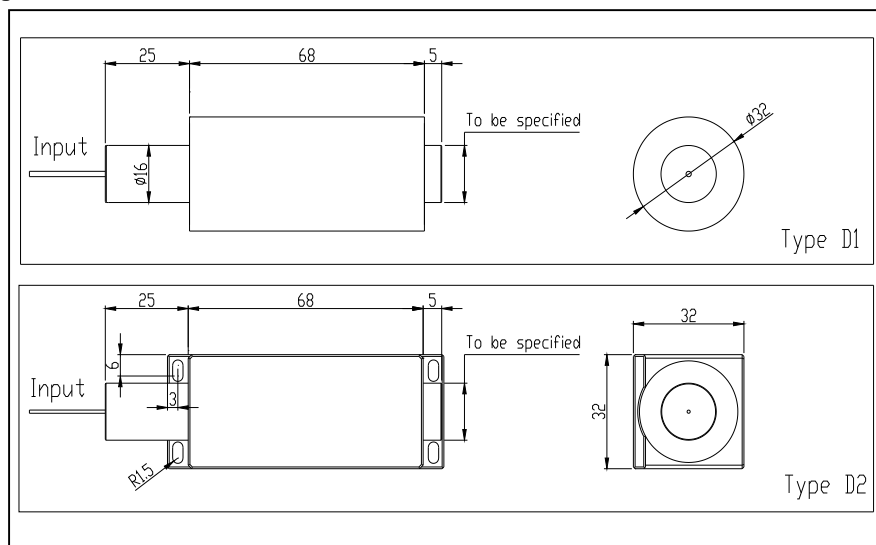
- Fiber Amplifier
- Fiber Laser
- Instrumentation Applications
- Lab Research

## Specifications

Parameters	Unit	Values
Center Wavelength ( $\lambda_c$ )	nm	1064 or Specify
Operating Wavelength Range	nm	$\pm 10$
Typ. Peak Isolation	dB	30~35
Min. Isolation at 23°C	dB	23
Typ. Transmission	-	93%
Min. Transmission	-	90%
Min. Return Loss	dB	50
Max. Polarization Dependent Loss	dB	0.1
Nominal Output Beam Diameter ( $1/e^2$ )	mm	0.5, 1.0 or Specify
Max. Optical Power (CW)	W	5, 10, 20 or Specify
Fiber Type		HI 1060 or Single Mode Fiber
Operating Temperature	°C	-5 to +50
Storage Temperature	°C	-20 to +75

\*For pulse applications, pls discuss with Optizone Technology.

## Package Dimensions



## Ordering Information

HPICI-①①-②②-③③-④④-⑤⑤-⑥

①①: Wavelength

06 - 1064nm

SS - Specify

②②: Package Type

D1 - Type D1

D2 - Type D2

③③: Handling Power

05 - 5W

10 - 10W

20 - 20W

SS - Specify

④④: Output Beam Diameter

05 - 0.5mm

10 - 1.0mm

SS - Specify

⑤⑤: Fiber Jacket on Port 1 & 2

L - 900um Loose Tube

C - 3mm Loose Cable

A - 3mm Armoured Cable

B - 6mm Armoured Cable

S - Specify

⑥: Fiber Length

1.0 - 1.0m

S - Specify