

High Power 1064nm Polarization Insensitive Isolator—Type A

Features

Low Insertion Loss
High Power Handling
High Isolation
Low PDL
Low Cost

Applications

Optical Fiber Amplifier
Fiber Optic Sensor
Instrumentation

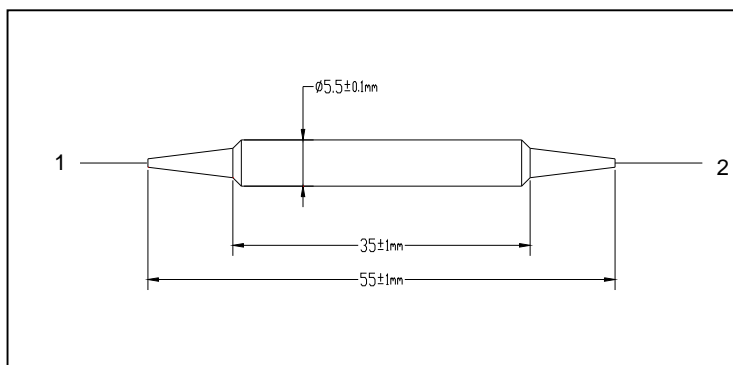
Specifications

Parameters	Unit	Values			
		Single Stage		Dual Stage	
Grade		Grade P	Grade A	Grade P	Grade A
Center Wavelength	nm	1064			
Operating Wavelength Range	nm	±5			
Typ. Peak Isolation	dB	40	38	55	52
Min. Isolation at 23°C	dB	35	32	45	42
Typ. Insertion Loss at 23°C	dB	1.5	1.6	2.4	2.6
Max. Insertion Loss at -5°C to 50°C	dB	1.8	2.2	3.2	3.4
Min. Return Loss (Input/Output)	dB	55/50	55/50	55/50	55/50
Max. PDL at 23°C	dB	0.15	0.15	0.15	0.15
Max. Optical Power (CW)	mW	500			
Max. Tensile Load	N	5			
Fiber Type		HI 1060 Fiber			
Operating Temperature	°C	-5 to +50			
Storage Temperature	°C	-40 to +85			

*Above specifications are for device without connector.

*For devices with connectors, IL will be 0.3dB higher and RL will be 5dB lower.

Package Dimensions



Ordering Information

HP11-①①-②-③-④-⑤⑤-⑥⑥-⑦

①①: Wavelength
06 - 1064nm

②: Type
A - Type A

③: Grade
P - Premium Grade
A - A Grade

④: Stage
S - Single Stage
D - Dual Stage

⑤⑤: Connector Type on Port 1 & 2
1 - FC/UPC
2 - FC/APC
3 - SC/UPC
4 - SC/APC
N - None
S - Specify

⑥⑥: Fiber Jacket on Port 1 & 2
B - 250um Bare Fiber
L - 900um Loose Tube
C - 3mm Loose Cable
S - Specify

⑦: Fiber Length
1 - 1.0m
S - Specify