

1064nm High Power PM Collimated Beam Output Isolator

Features

High Isolation & High Power Handling
 High Extinction Ratio
 Low Insertion Loss & High Return Loss
 Excellent Environmental Stability and Reliability

Applications

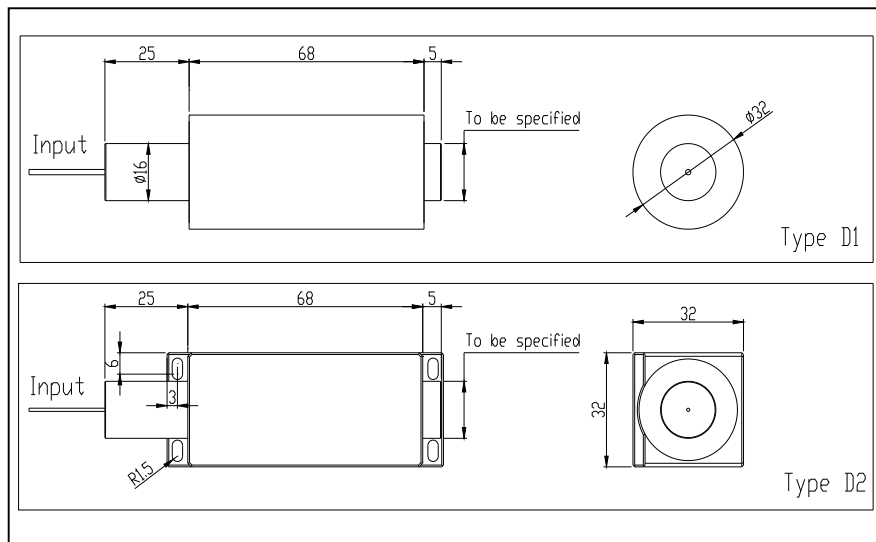
Polarization Maintaining Fiber Amplifier
 Fiber Laser
 Instrumentation Applications
 Lab Research

Specifications

Parameters	Unit	Values
Center Wavelength (λ_c)	nm	1064 or Specify
Operating Wavelength Range	nm	± 10
Typ. Peak Isolation	dB	30~35
Min. Isolation at 23°C	dB	23
Typ. Transmission	-	93%
Min. Transmission	-	90%
Min. Return Loss	dB	50
Min. Extinction Ratio	dB	20
Nominal Output Beam Diameter ($1/e^2$)	mm	0.5, 1.0 or Specify
Max. Optical Power (CW)	W	5, 10, 20 or Specify
Fiber Type		PM Panda Fiber
Operating Temperature	°C	-5 to +50
Storage Temperature	°C	-20 to +75

*For pulse applications, pls discuss with Optizone Technology.

Package Dimensions



Ordering Information

HPMCI-①①-②②-③③-④④-⑤⑤-⑥⑥

①①: Wavelength

06 - 1064nm

SS - Specify

②②: Package Type

D1 - Type D1

D2 - Type D2

③③: Handling Power

05 - 5W

10 - 10W

20 - 20W

SS - Specify

④④: Output Beam Diameter

05 - 0.5mm

10 - 1.0mm

SS - Specify

⑤⑤: Fiber Jacket on Port 1 & 2

L - 900um Loose Tube

C - 3mm Loose Cable

A - 3mm Armoured Cable

B - 6mm Armoured Cable

S - Specify

⑥⑥: Fiber Length

0.8 - 0.8m

S - Specify