

In-line Faraday Rotator

Features

High Return Loss
 High Extinction Ratio
 Low Insertion Loss
 Excellent Environmental Stability

Applications

Fiber Sensor
 Fiber Amplifier
 Fiber Lasers
 Research

Specifications

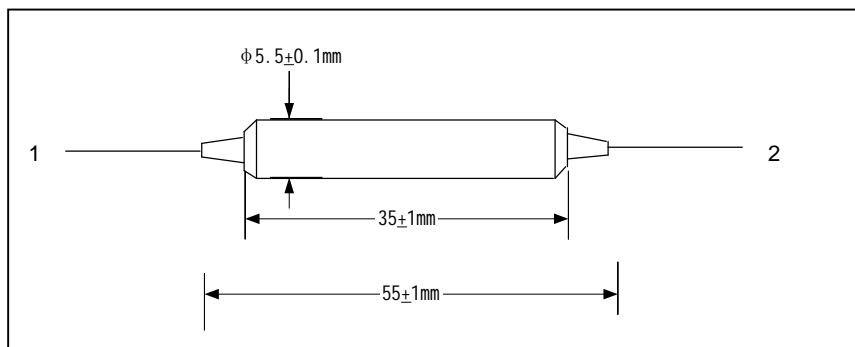
Parameters	Unit	Values
Center Wavelength (λ_c)	nm	1310, 1480 or 1550
Operating Wavelength Range	nm	± 20
Typ. Insertion Loss	dB	0.3
Max. Insertion Loss	dB	0.5
Min. Return Loss	dB	50
Min. Extinction Ratio (Slow Axis of Port 1 is aligned to Slow Axis of Port 2, for PM-PM Type, at 23°C)	dB	20
Min. Extinction Ratio (Slow Axis of Port 2 is aligned to Fast Axis of Port 1, for PM-PM Type, at 23°C)	dB	20
Rotation Angle at 23°C, λ_c	°C	45 \pm 1
Max. Optical Power (CW)	mW	500
Max. Tensile Load	N	5
Operating Temperature	°C	-5 to +70
Storage Temperature	°C	-40 to +85

*Above specifications are for devices without connectors.

*For devices with connectors, IL will be 0.3dB higher, RL will be 5dB lower and ER will be 2dB lower.

*The PM fiber and the connector key are aligned to the slow axis.

Package Dimensions



Ordering information

ILF-①①-②②-③③-④④-⑤

①①: Wavelength

31 - 1310nm

48 - 1480nm

55 - 1550nm

SS - Specify

③③: Fiber Jacket on Port 1 & 2

B - 250um Bare Fiber

D - 400um Bare Fiber

L - 900um Loose Tube

S - Specify

④④: Fiber Type on Port 1 & 2

1 - PM Panda Fiber

2 - SMF-28e Fiber

⑤: Fiber Length

0.8 - 0.8m

S - Specify

②②: Connector Type on Port 1 & 2

1 - FC/UPC

2 - FC/APC

3 - SC/UPC

4 - SC/APC

N - None

S - Specify