

# 1064nm Polarization Maintaining Optical Circulator

## Features

High Extinction Ratio  
 Low Insertion Loss  
 High Isolation  
 Excellent Environmental Stability

## Applications

Polarization Mode Dispersion Compensator  
 EDFA & Raman Amplifier  
 Coherent Telecommunication Systems  
 Fiber Optic Sensor

## Specifications

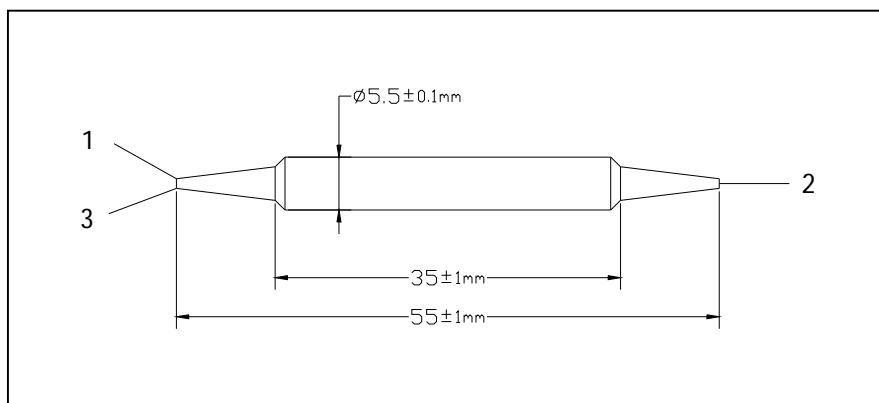
Parameter	Unit	Values
Center Wavelength	nm	1064
Operating Wavelength Range	nm	±5
Typ. Isolation	dB	30
Min. Isolation at 23°C	dB	25
Typ. Insertion Loss	dB	1.8
Max. Insertion Loss	dB	2.1
Min. Return Loss	dB	50
Min. Extinction Ratio	dB	20
Min. Cross Talk	dB	50
Max. Optical Power (CW)	mW	300
Max. Tensile Load	N	5
Fiber Type		PM 980 Panda Fiber
Operating Temperature	°C	-5 to + 50
Storage Temperature	°C	-40 to +85

\*Above specifications are for device without connector.

\*For devices with connectors, IL will be 0.3dB higher, RL will be 5dB lower and ER will be 2dB lower.

\*The PM fiber and the key are aligned to the slow axis & fast axis is blocked.

## Package Dimensions



## Ordering Information

PM CIR-①①-②-③③③-④④④-⑤

①①: Wavelength

06 - 1064nm

SS - Specify

②: Port

1 - 1x2

③③③: Connector Type on Port 1, 2 & 3

1 - FC/UPC

2 - FC/APC

3 - SC/UPC

4 - SC/APC

N - None

S - Specify

④④④: Fiber Jacket on Port 1, 2 & 3

B - 250um Bare Fiber

L - 900um Loose Tube

S - Specify

⑤: Fiber Length

0.8 - 0.8m

S - Specify