

Polarization Maintaining Optical Circulator

Features

Low Insertion Loss
High Return Loss

Applications

Fiber Optic Instruments
Fiber Sensors
Coherent Detecting
Research

Specifications

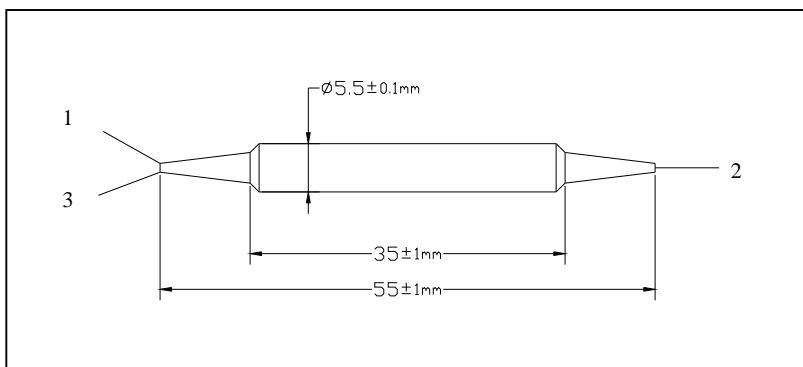
Parameter	Unit	Values	
		Type A	Type B
Type			
Center Wavelength	nm	1310 or 1550	
Operating Wavelength Range	nm	± 30	± 20
Min. Isolation	dB	40	20
Typ. Isolation	dB	46	30
Peak Isolation	dB	52	40
Typ. Insertion Loss	dB	0.7	0.6
Max. Insertion Loss	dB	0.9	0.8
Min. Return Loss	dB	55	
Min. Extinction Ratio	dB	22	20
Min. Cross Talk	dB	50	
Max. Optical Power (CW)	mW	500	
Max. Tensile Load	N	5	
Fiber Type		PM Panda Fiber	
Operating Temperature	°C	-5 to +70	
Storage Temperature	°C	-40 to +85	

*Above specifications are for device without connector.

*For devices with connectors, IL will be 0.3dB higher, RL will be 5dB lower and ER will be 2dB lower.

*The PM fiber and the connector key are aligned to the slow axis and fast axis is blocked.

Package Dimensions



Ordering Information

PM CIR-(①①)-(②)-(③)-(④④④)-(⑤⑤⑤)-(⑥)

①①: Wavelength

31 - 1310nm

55 - 1550nm

SS- Specify

②: Type

A - Type A

B - Type B

③: Port

1 - 1X2

④④④: Connector Type on Port 1, 2 & 3

1 - FC/UPC

2 - FC/APC

3 - SC/UPC

4 - SC/APC

N - None

S - Specify

⑤⑤⑤: Fiber Jacket on Port 1, 2 & 3

B - 250um Fiber

D - 400um Fiber

L - 900um Loose Tube

S - Specify

⑥: Fiber Length

0.8 - 0.8m

S - Specify